

# Mansaver®

- Telescoping bun grabs for all applications
- Designed for safety and ease of use
- Available in any required load capacity

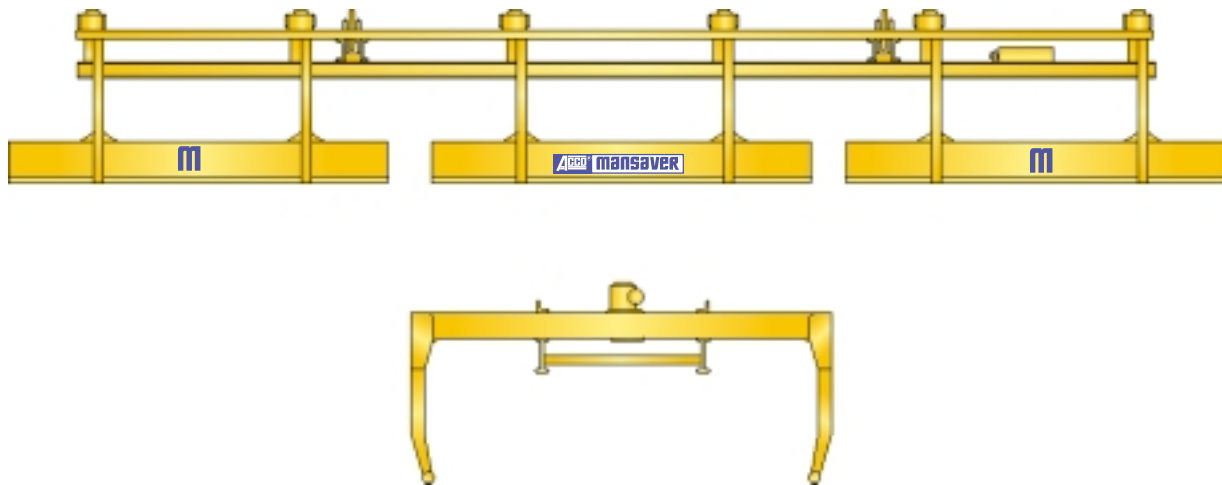
## G1733 Telescoping Bun Grabs

### G1733 TELESCOPING BUN GRABS

Mansaver® G1733 bun grabs are in wide spread usage in the foam rubber industry. These telescoping grabs have been built in lengths of up to 200 feet to handle the longest buns currently being produced by manufacturers. Bun grabs offer both safe and practical handling of these unwieldy long loads.

The Louden® division of ACCO also produces the long multiple hoist drum cranes used in conjunction with bun grabs.

All ACCO lifters conform to ASME B30.20 standards for below-the-hook lifters. Standard paint is ACCO safety yellow machine enamel.



- Multi-section foam bun grab
- Integral sheave suspension for multi-drum hoist

Authorized Sales & Service

**J. HERBERT CORPORATION**

Call 1-800-255-0588  
407-846-0588 Fax: 846-1066  
info@jherbertcorp.com

Visit us online:  
[www.jherbertcorp.com](http://www.jherbertcorp.com)

**ACCO® 8.8.1**

*Authorized Sales & Service*

**J. HERBERT CORPORATION**

Call 1-800-255-0588

407-846-0588 Fax: 846-1066

info@jherbertcorp.com

**Visit us online:**

[www.jherbertcorp.com](http://www.jherbertcorp.com)



# G1733 Telescoping Bun Grabs

## Selection Guide

All Mansaver® G1733 bun grabs are designed to perform specific lifting tasks in conjunction with other lifting equipment. Please supply available application information and submit to the ACCO Mansaver® sales department for pricing and further assistance in equipment choice.

All ACCO MANSAYER® Products meet or exceed ANSI B.30.20\* for "Below The Hook" lifting devices.  
 All ACCO MANSAYER® Products have a one year warranty on workmanship and materials.\*\*  
 \* Please refer to ANSI Standards B.30.20 and B.30.9 for all lifting applications and guidelines.  
 \*\* Consult the factory for further details.

### LOAD INFORMATION:

Range of bun dimensions: \_\_\_\_\_

Maximum load weight: \_\_\_\_\_

### GRAB INFORMATION:

Required grab capacity: \_\_\_\_\_

Capacity of the hoist the grab will used with: \_\_\_\_\_

Lifter suspension (eyebolts, sheaves, pin or plate bails): \_\_\_\_\_

Options (radio control, special limit switches, other): \_\_\_\_\_

\_\_\_\_\_

Lifting Hoist Hook Information on reverse side

Clear Form

Authorized Sales & Service  
**J. HERBERT CORPORATION**  
 Call 1-800-255-0588  
 407-846-0588 Fax: 846-1066  
 info@jherbertcorp.com  
 Visit us online:  
 www.jherbertcorp.com



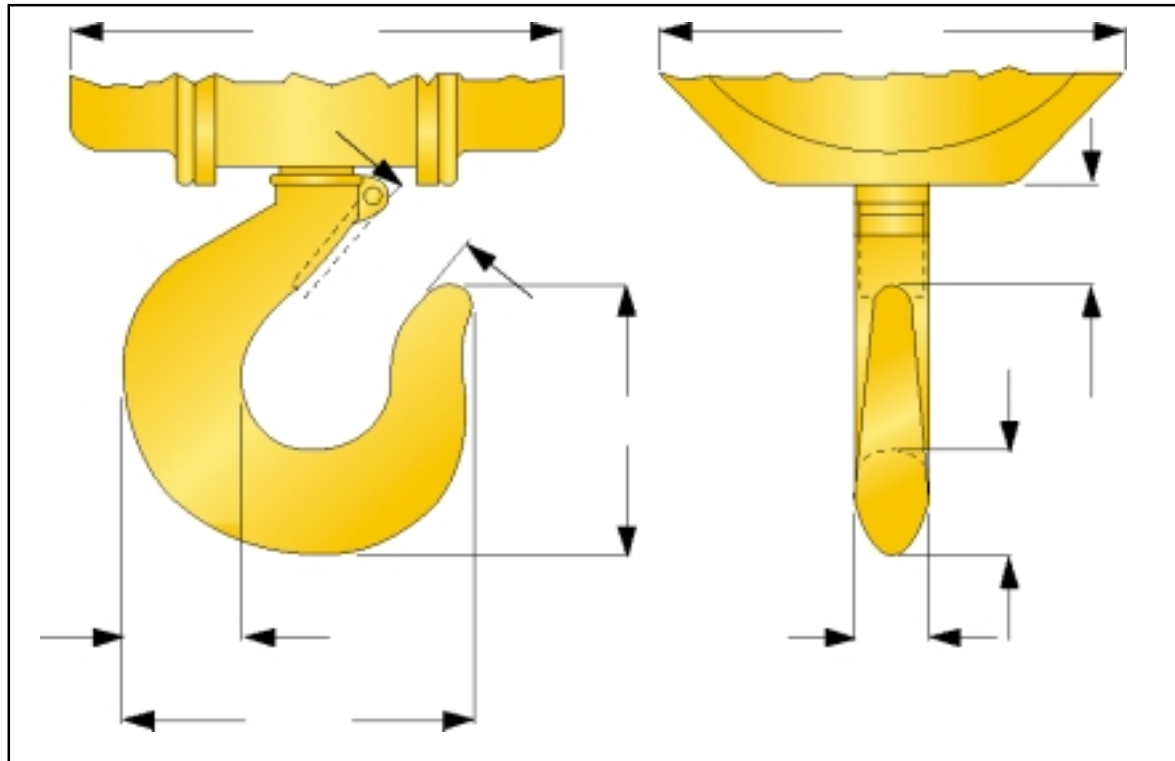
**mansaver<sup>®</sup>**

*"The Lifting Power You Need."*

# G1733 Telescoping Bun Grabs

## Lifting Hoist Hook Information

*(If Hoist Hooks Are Used Please Fill Out Completely)*



**Acco<sup>®</sup> Acco Chain & Lifting Products Division**

76 Acco Drive, Box 792, York, PA 17405  
Telephone 800-967-7333 Fax 800-715-8897  
www.accolifting.com

PART OF THE **FKI** GROUP OF COMPANIES

**Acco<sup>®</sup> 8.8.4**

*Authorized Sales & Service*

**J. HERBERT CORPORATION**

Call 1-800-255-0588

407-846-0588 Fax: 846-1066  
info@jherbertcorp.com

Visit us online:

www.jherbertcorp.com